

Correction to Impedance Spectroscopic Analysis of Lead Iodide Perovskite-Sensitized Solid-State Solar Cells

[*ACS Nano* 2014, 8, 362–373. DOI: 10.1021/nn404323g].

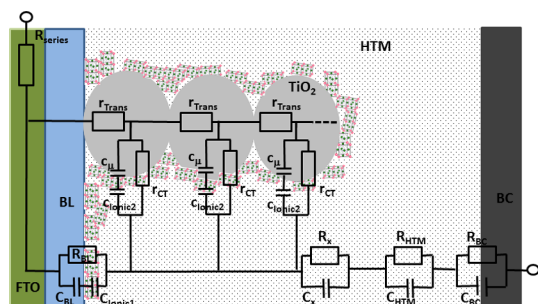
Amalie Dualeh, Thomas Moehl,*

Nicolas Tétreault, Joël Teuscher, Peng Gao,

Mohammad Khaja Nazeeruddin, and Michael Grätzel*

Page 364. In Scheme 1c, the transport resistance of the transmission line model was not displayed, although it was used in the applied equivalent circuit model for the fitting of the impedance spectra.

The correct equivalent circuit model is presented in the following scheme.



Scheme 1c. Full model of a solid-state device with perovskite.

This erratum does not affect any of the results, discussions or conclusions reported in the paper. The authors apologize for this oversight.

Published online March 26 2014

10.1021/nn5014879